

ARK-3420

High Performance Solution with PCIe Expansion and Dual SATA HDDs for Image Processing and Surveillance Applications

NEW



Features

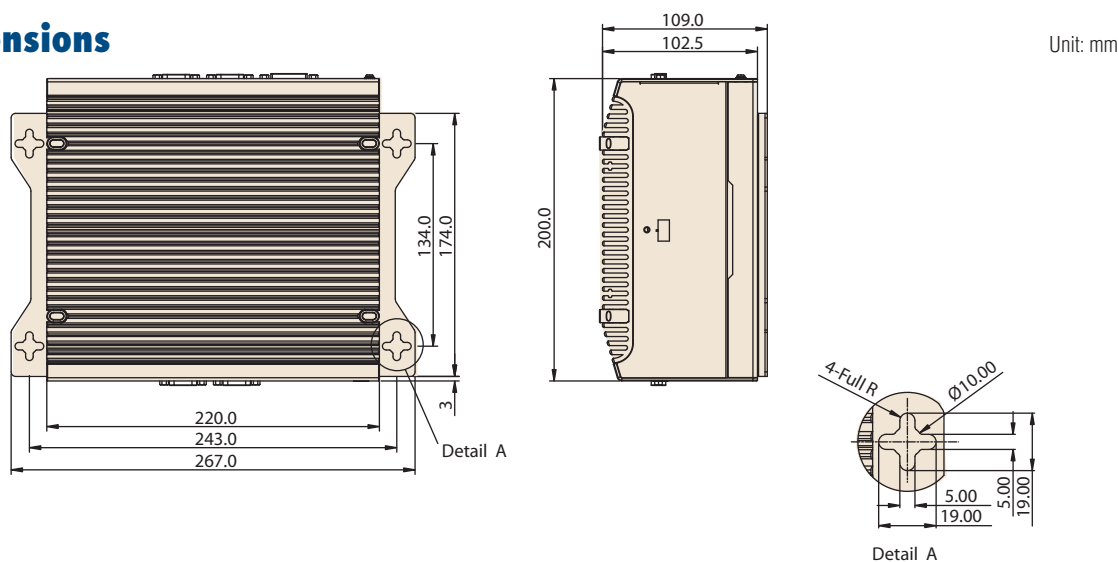
- Fanless, Intel® Core™ 2 Duo Compact Embedded Box IPC
- Dual display and support for wide screen with high resolution
- Supports 2 GbE, eSATA, 6 USB 2.0 and 4 COM ports
- Two internal 2.5" SATA HDD drive bays
- Various expansion interfaces for diverse applications
- 6 programmable function keys
- Easy integration, easy maintenance, and wide input voltage range
- IP40



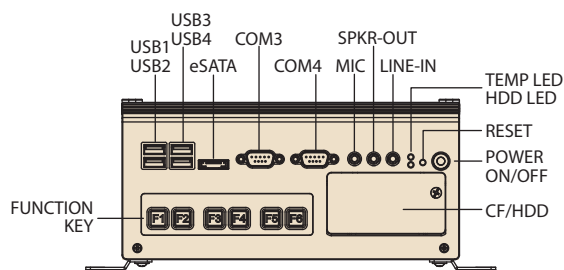
Specifications

Processor System	CPU	Intel Core 2 Duo	Intel Core 2 Duo	Mobile Intel Celeron
	Max. speed	L7500 (1.6 GHz)	U7500 (1.06 GHz)	550 (2.0 GHz)
	System Chipset	Intel GME965 + ICH8-M Chipset		
	Front Side Bus	800 MHz	533 MHz	533 MHz
	BIOS	AWARD 4 Mbit, FWH		
Memory	Technology	DDR2 533/800 MHz (GME965)		
	Max. Capacity	4 GB		
	Socket	2 x 200-pin SODIMM		
Graphics	Chipset	Integrated graphics built in Intel GME965, Mobile Intel Graphics Media Accelerator X3100		
	Interface	CRT Interface (Optional by cable) DVI Interface, compliant with DVI 1.0 48-bit LVDS interface (Optional)		
Ethernet	LAN 1	10/100/1000 Mbps Ethernet controller, supports Wake On LAN		
	LAN 2	10/100/1000 Mbps Ethernet controller, supports Wake On LAN		
Audio	Amplifier	Dual output 2.2 W amplifier		
	Interface	Spkr-out, Mic-in, Line-in		
I/O Interface	Serial Interface	2 x RS-232 ports and 2 x RS-232/422/485 ports (RS485 with autoflow control)		
	USB Interface	6 x USB ports, Compliant with USB 2.0		
	Digital I/O	Support 16 bit Digital I/O (optional)		
Other	Thermal Alarm	Yellow LED lighting		
	Watchdog Timer	255 level timer interval, setup by software		
	Function Key	6 programmable functional keys		
Expansion	ISA/PCI/PCIe Slot	2 Slots PCI (default); 2 Slots PCIe x1 (optional); 2 Slots PCIe x4 (optional); 1 Slot PCI and 1 Slot PCIe x1 (optional); 1 Slot PCI and 1 Slot PCIe x4 (optional)		
	Mini PCI/Mini PCIe	1 x Mini PCIe		
Storage	HDD	Supports drive bay space for 2 x SATA 2.5" HDD		
	SSD	Supports CompactFlash socket for type I/II CompactFlash disk		
Software Support	Microsoft Windows	Vista, XP Professional, XP Embedded		
	Linux	Fedora 9.0		
Power Requirement	Power Type	AT/ATX		
	Power Input Voltage	9 V _{DC} ~ 34 V _{DC}		
	Minimum Power Input	9 V-34 V --- 6.0 A-1.5 A		
	Power Adapter	AC to DC, DC19 V/7.89 A, 150 W (Optional)		
Power Consumption	Typical	Typical 29 W (CPU is Intel Core 2 Duo L7500 1.6 GHz and w/o expansion)		
	Max.	Max. 35 W (CPU is Intel Core 2 Duo L7500 1.6 GHz and w/o expansion)		
Mechanical	Construction	Aluminum housing		
	Mounting	Desk/wall-mounting		
	Dimensions (W x H x D)	220 mm x 102.5 mm x 200 mm (8.66" x 4.04" x 7.87")		
	Weight	4 kg (8.8 lb)		
Environment	Operating Temperature	With Industrial Grade CompactFlash disk: -20 ~ 55° C With 2.5-inch extended temperature hard disk -20 to 45° C, with air flow		
	Storage Temperature	-40 ~ 85° C (-40 ~ 185° F)		
	Relative Humidity	95% @ 40° C (non-condensing)		
	Vibration Loading During Operation	With CompactFlash disk: 5 Grms, IEC 60068-2-64, random, 5 ~ 500 Hz, 1 Oct./min, 1 hr/axis. With 2.5-inch hard disk: 1 Grms, IEC 60068-2-64, random, 5 ~ 500 Hz, 1 Oct./min, 1 hr/axis.		
	Shock During Operation	With CompactFlash disk: 50 G, IEC 60068-2-27, half sine, 11 ms duration With hard disk: 20 G, IEC 60068-2-27, half sine, 11 ms duration		
	EMC	CE/FCC Class A, CCC, BSMI		
	Safety Certifications	UL, CCC, BSMI		

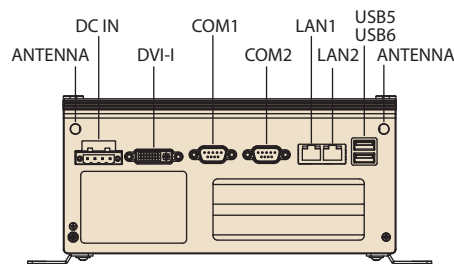
Dimensions



Front Panel External I/O Mechanical Layout/Drawing



Rear Panel External I/O Mechanical Layout/Drawing



Packing List

Part Number	Description
-	1 x ARK-3420 Unit
1960014487T00C	2 x Desk/Wall mount plate
1652003234	1 x 4-pin Phoenix DC power connector
1654000446	1 x DVI-I to CRT connector
-	1 x Utility CD

Ordering Information

Part Number	Description
ARK-3420F-S6A1E	Intel Core 2 Duo L7500 1.6 GHz Compact Embedded Box IPC
ARK-3420F-S1A1E	Intel Core 2 Duo U7500 1.06 GHz Compact Embedded Box IPC
ARK-3420F-U0A1E	Mobile Intel Celeron 550 2.0 GHz Compact Embedded Box IPC

Optional Items

Part Number	Description
1757002161	AC-to-DC Adapter, DC19 V/7.89 A 150 W, with Phoenix Power Plug, 0 ~ 40° C for Home and Office Use
1702002600	Power cable 3-pin 180 cm, USA type
1700004713	CABLE DVI-I to DVI and CRT
1700009398	LVDS cable for ARK-3420
1700009396	LVDS power cable for ARK-3420
1700009399	Digital I/O cable for ARK-3420
1700009397	Printer cable for ARK-3420
*9696R00100E	2 slots riser card, 2 x PCIe4
*9696R00200E	2 slots riser card, 2 x PCIe1
*9696R00400E	2 slots riser card, 1 x PCIe4 + 1 x PCI
*9696R00500E	2 slots riser card, 1 x PCIe1 + 1 x PCI

* For project base use

Embedded OS (Only available for T-Parts OEM, and CTOS service)

Part Number	Description
2070006511	Windows XP WES for ARK-3420 V4.0 ENG
2070006512	Windows XP WES for ARK-3420 V4.0 ENG_CHT_CHS_JPN
2070006513	Windows XP WES for ARK-3420 V4.0 ENG_FRE_GER_ITA
2070006510	Windows CE 6.0 Pro ARK-3420 V1.1 ENG